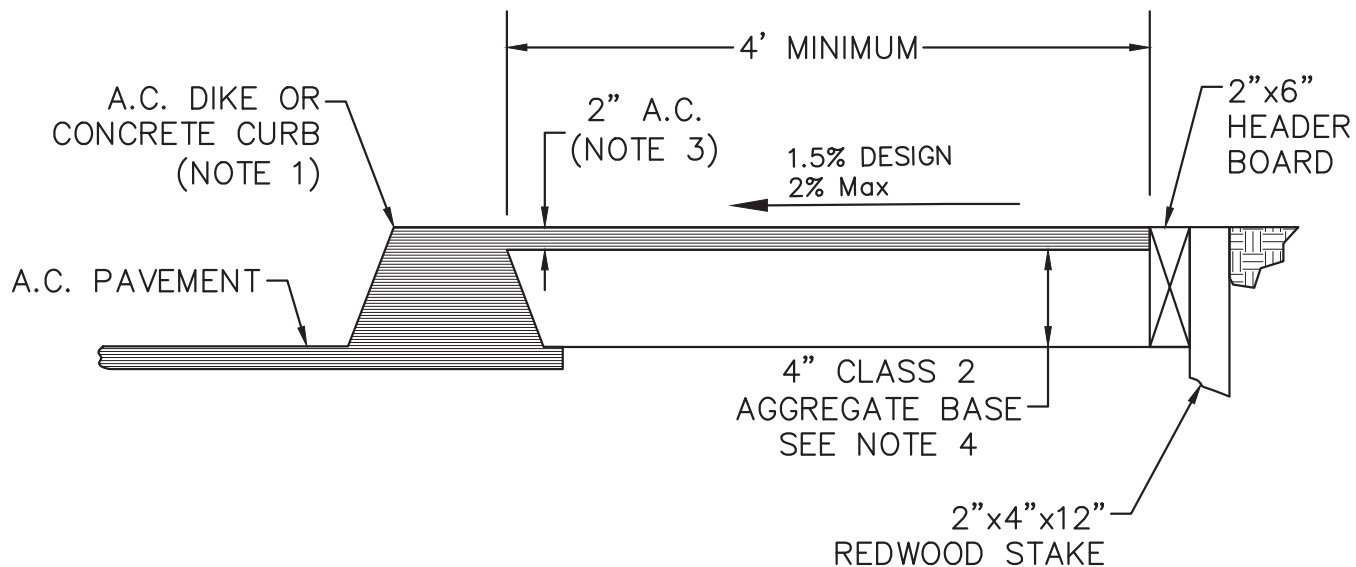


Xrefs: S:\ENGINEERING\Traffic\STAFF FOLDERS\Chet\Draft Revised Standards\Revised\_County Standards\_Master.dwg Plot Date: Nov 12, 2020 at 08:10  
 Path: S:\ENGINEERING\Traffic\STAFF FOLDERS\Chet\Draft Revised Standards\Revised\_County Standards\_Master.dwg



**NOTES:**

1. IF THERE IS NO DIKE OR CURB, AND AC WALKWAY IS ABOVE EXISTING GROUND, INSTALL A 2" X 6" HEADER BOARD ON BOTH SIDES. HEADER BOARD SHALL BE REDWOOD OR PRESSURE TREATED.
2. IF AC WALKWAY IS BELOW EXISTING GROUND, HEADER BOARD MAY BE ELIMINATED.
3. ASPHALT CONCRETE SHALL BE A MINIMUM OF 2-1/2" THICK AT DRIVEWAYS.
4. INCREASE AGGREGATE BASE TO 6" AT DRIVEWAYS.
5. BASE MATERIAL SHALL BE COMPACTED TO A RELATIVE DENSITY OF 95%.

COUNTY OF SONOMA DEPARTMENT OF TRANSPORTATION AND PUBLIC WORKS		
ASPHALT CONCRETE WALKWAY		
DATE: MAY 2004	REVISED: JULY 2018	
APPROVED BY: JH	SCALE: NONE	DRAWING NO. 228